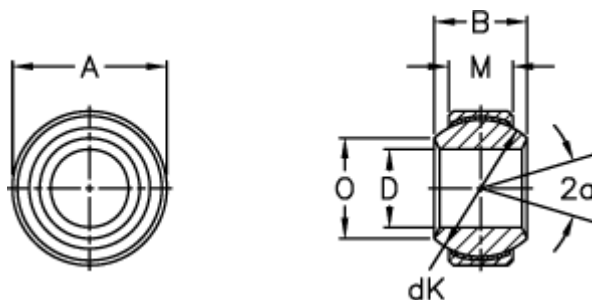


Article number: 03507025

Description: Fluro Rod end GE 25FW

Measures



A	= 47 0 -0,011	Tilt angle = 17
B	= 28	Weight = 200
D	= 25 0 -0,010	
dK	= 40.7	
Dynamic load C (kN)	= 65.5	
M	= 18	
O	= 29.5	
Static load C0 (kN)	= 166	